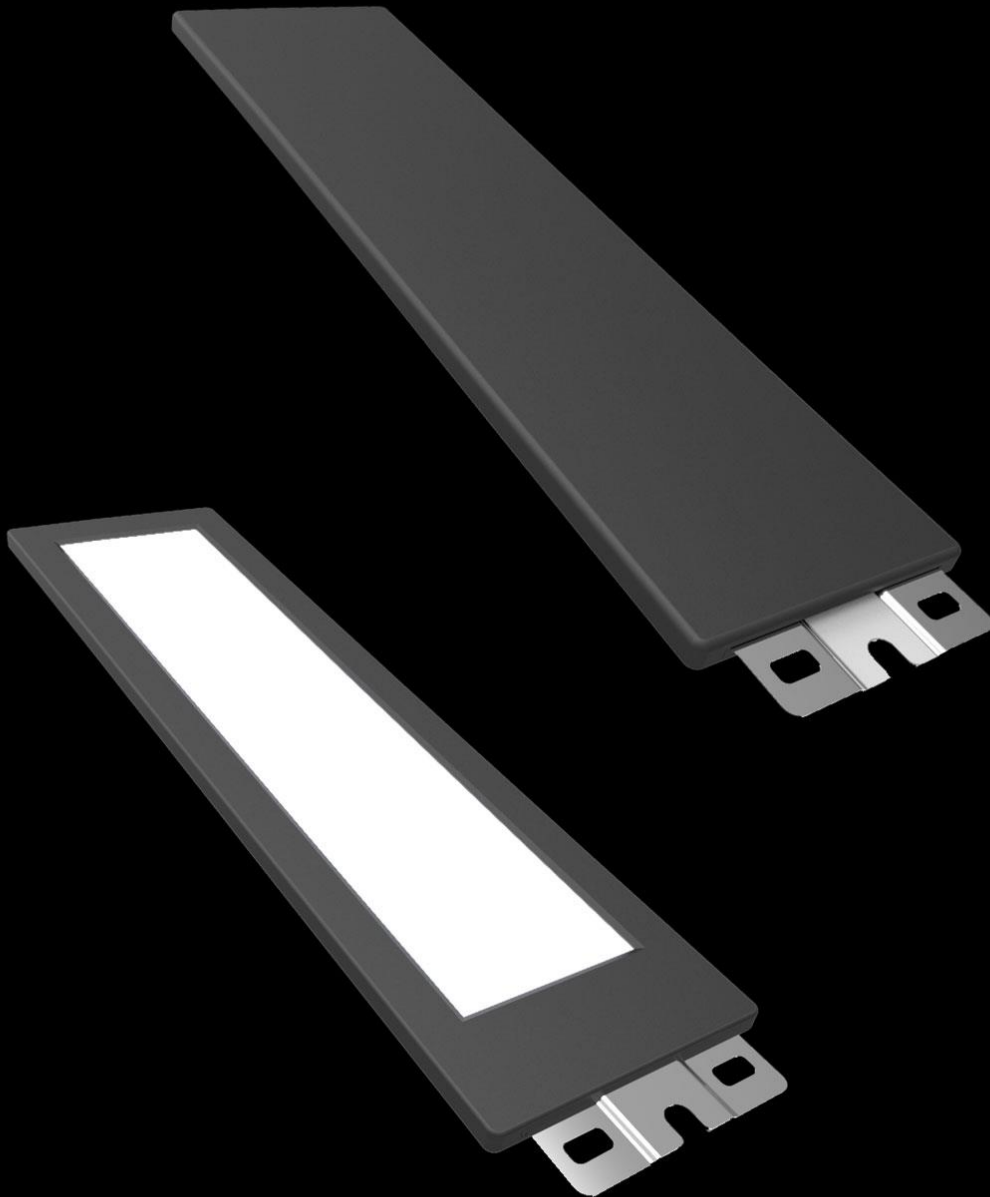


Keuka Module

beautiful light, easy to use, simple to integrate



OLEDWorks OLED Lighting Module system

Keuka Module

only available in North America

Beautiful light, easy to use, simple to integrate

The Keuka Module design showcases OLED thinness while simultaneously incorporating an integrated driver which can dim to 25 percent. The innovative system design features an easy to use, versatile socket solution which allows for two different panel insertion orientations so that light can be directed as desired by the end user. The module makes plug and play and simple replacement a reality.

With the Keuka Module, integrators can accelerate product design while maintaining control of the final design, look and feel of their products. The Keuka module uses our Lumiblade OLED panels and will be available at several finishing levels including a sub-assembly option that enables customers to capture the ease of use elements of the module.

The sub-assembly option comes without bezel and back cover to give even more design freedom for integration in different solutions, but still with the same easy plug and play connection system.

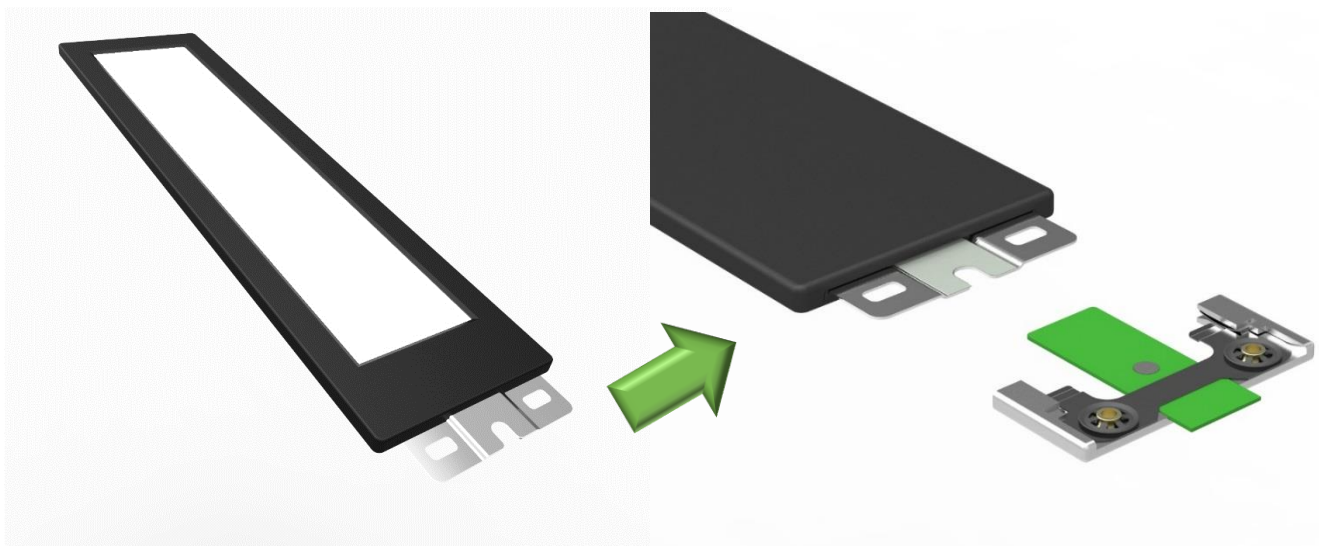
The Keuka Module family will include as well several performance and cost options to address a wide range of applications from consumer to professional.

The advantages:

Beautiful light: Lumiblade OLED panels as light source

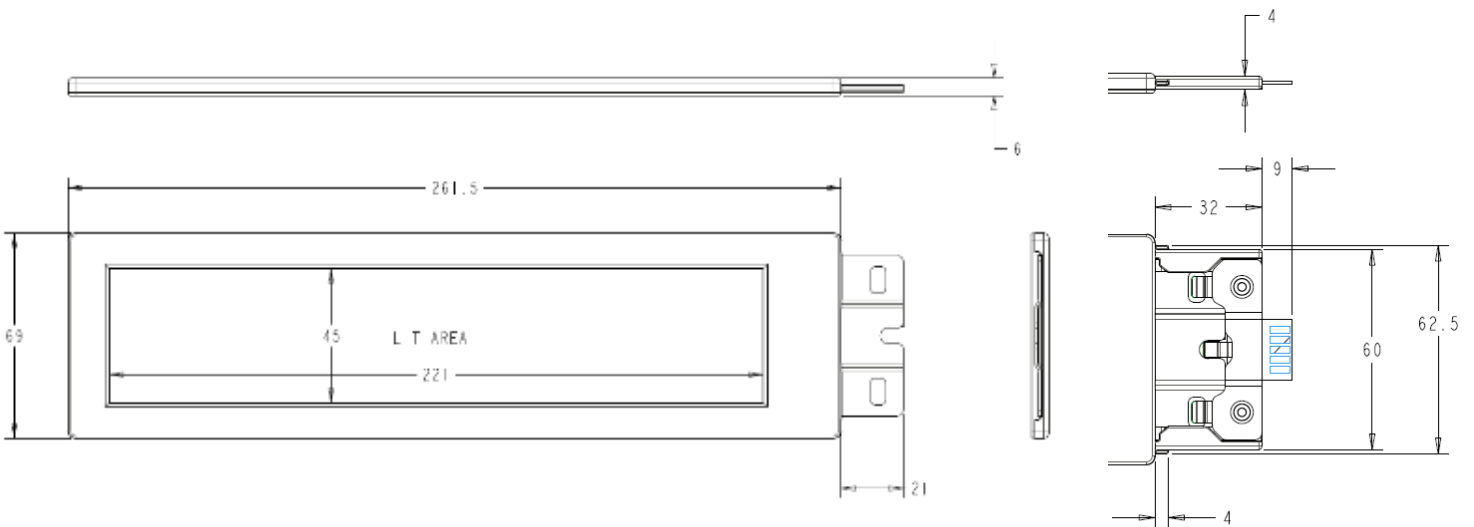
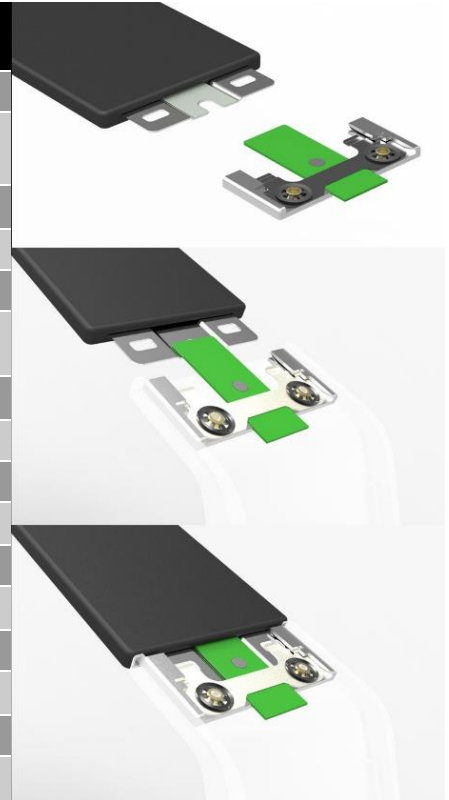
Easy to use: driver on board

Simple to integrate: easy plug and play system with socket connector and lampholder



Keuka Module

name	Keuka module
description	OLED module with OLED panel, driver and connection system with separate lampholder
dimension outer	69mm x 261.5mm (+ 21mm for socket)
dimension lit area	45mm x 221mm
thickness	6mm (4mm for socket)
Integration levels	Level 1: Sub-assembly w/o bezel and back cover Level 2: Module with different bezel and back cover options
dimming	0-10V, possible to dim to 25%
voltage	24V
lumen	Different versions with up to 300lm
lumen efficacy nom.	>40lm/W
luminance nom.	Up to 8,300cd/m ²
lifetime L70	>10,000h
color temperature	2,900K
CRI nom.	80 (R9>0)
availability	Samples available in Q4 2016
Commercial release	Q1 2017



Dimensions in mm.



OLEDWorks
1645 Lyell Avenue, Suite 140
Rochester, NY 14606, USA

OLEDWorks GmbH
Philipsstr. 8, 52068 Aachen, Germany

OWinfo@oledworks.com

For more information visit:

www.oledworks.com

www.facebook.com/oledworks

www.twitter.com/oledworks

<https://www.instagram.com/oledworks>

<https://www.linkedin.com/company/oledworks-llc>

© 2019 OLEDWorks

All rights reserved. Correct as of March 2019.

Standards, compliance and sustainability
OLEDWorks GmbH products are environmentally
friendly by
avoiding the use of hazardous materials and by
providing efficient illumination.